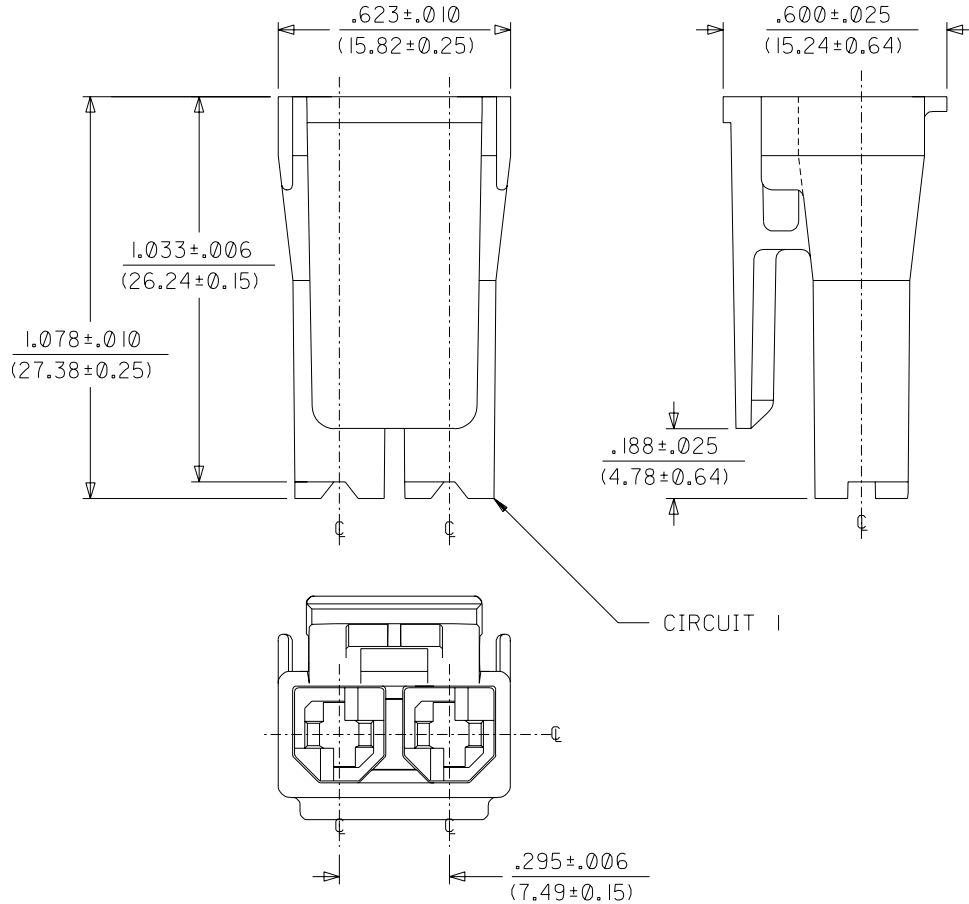
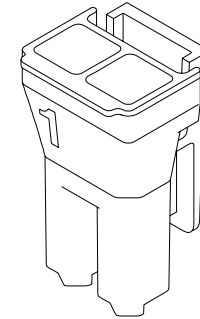


NOTES:

1. MATERIAL: SEE CHART.
2. THIS CONNECTOR HOUSING FOR USE WITH 43375-**** TERMINALS.
3. THIS CONNECTOR HOUSING WILL MATE TO A-43160-****2, 43180-****2, AND 43680-***2 HOUSINGS.
4. PRODUCT SPECIFICATION: PSX-44441-9999.
5. PACKAGING: PK-44441-001.



ITEM NUMBER	MATERIAL	COLOR
44441-2002	UL94V-0 NYLON	BLACK
44441-1002	UL94V-2 NYLON	NATURAL (TRANSLUCENT)



44441-*002
(NO SCALE)

D1	ADD V-2 VERSION UCP 2004-2000 BW 9-20-04
D	REVISED PER UCR2004-1739 04/03/10 MSC
C	REVISED PER UCR1999-0340 98/11/30 LENZ
B2	REVISED PER ECN# U71442 97/05/21 KBP
B1	REVISED PER ECR #U70915 MARANTO 97/02/06
B	REVISED PER ECR #U70564 MARANTO 97/01/15
A1	REVISED PER ECN# U70029 96/07/12 KSM
A	REMOVE "X" PER ECN# U60363 95/09/18 MAB

MFG. SH.		REV.	LTR.	REVISIONS												
= 0		▼ = 0	REVISE ONLY ON CAD SYSTEM													
DIMENSIONS SHOWN (METRIC) INCH UNLESS OTHERWISE SPECIFIED TOLERANCES: ANGULAR ± 1/2°																
<table border="1"> <thead> <tr> <th></th> <th>INCH</th> <th>METRIC</th> </tr> </thead> <tbody> <tr> <td>3 PLACE</td> <td>± .005</td> <td>---</td> </tr> <tr> <td>2 PLACE</td> <td>± .01</td> <td>± 0.13</td> </tr> <tr> <td>1 PLACE</td> <td>---</td> <td>± 0.25</td> </tr> </tbody> </table>			INCH	METRIC	3 PLACE	± .005	---	2 PLACE	± .01	± 0.13	1 PLACE	---	± 0.25	TITLE 2-CIR RECEPTACLE HOUSING .125/(3.18) X .020/(0.51) SABRE - TPA		
	INCH	METRIC														
3 PLACE	± .005	---														
2 PLACE	± .01	± 0.13														
1 PLACE	---	± 0.25														
DRAFT WHERE APPLICABLE MUST REMAIN WITHIN DIMENSIONS		MOLEX INCORPORATED LISLE, ILL. 60532 U.S.A.														
DRWG. BY: MAB APP'D. BY: RAS		SHEET NO. 1 OF 1 DATE 95/09/18														
CHK'D. BY: KBP SCALE 3: 1		PART NO. SD-44441-*002 DRWG. NO.														
FILE NAME S4444121 DGN		SEE CHART THIS DRAWING CONTAINS INFORMATION THAT IS PROPRIETARY TO MOLEX INC. AND SHOULD NOT BE USED WITHOUT WRITTEN PERMISSION.														
		DIV. CP SIZE B														